



LEON / MCKIN 防火五金 FIRE EXIT HARDWARE

火災時逃生門的守護神

符合美國國家安全標準局ANSI A156.3一級標準結構

符合美國公共安全殘障法規

通過美國UL 3小時防火驗證

警報片件設計、可搭配門外之門禁管制設計整合



振星有限公司 LEON SPECIALTY INC.

LEON/MCKIN

1000/4000 (9900 & F9900) Panic & Fire Rim Type Exit Devices

1100/4100 (9960 & F9960) Vertical Rod Panic & Fire Exit Devices

ANSI A156.3, Grade 1



Features & Construction

- ◆ For use in institutions, schools, universities, commercial buildings where heavy duty reliable operation is a requirement.
- ◆ ANSI A156.3, Grade 1 heavy duty exit device in surface vertical rod and rim designs.
- ◆ Rail assemblies are heavy duty extruded aluminum body with stainless steel push pad and end caps are made of brass, bronze or stainless steel. Rail travels in direction of the door swing.
- ◆ Trims are thru bolted for additional security.
- ◆ Conforms & Meets ADA Regulations.
- ◆ UL Listed for Panic and UL 10C, UBC 7-2-1997 codes.
- ◆ UL Listed for Fire Exit Hardware. **3 hours.**
- ◆ (A) label rating on pairs of doors up to 8'0" x 8'0" swinging in same or opposite directions.
- ◆ Uncompromising security and safety in single and double fire exit doors.
- ◆ Chassis mounted unit construction.
- ◆ Available in many different functions. Lever and escutcheon trims are grade 1 construction with clutch freewheeling mechanism. Rose and escutcheon covers 161 cut out.

Suggested Architect's Specifications

- ◆ All exit devices shall be of touch bar design with smooth operation and be operative over 2/3 of the door's clear opening width.
- ◆ All exit devices must be listed under "Panic Hardware" in the Accident Equipment List of Underwriter's Laboratories, Inc. Where labeled doors are used as exits, they must be equipped with labeled Fire Exit Hardware and UL 10C, UBC 7-2-1997 codes.
- ◆ All springs shall be of stainless steel throughout.
- ◆ All exit devices shall be of chassis mounted unit construction.
- ◆ All exit device shall be ANSI A156.3, Grade 1.

LEON/MCKIN

1000/4000 (9900 & F9900) Series.....

Panic & Fire Rim Type Exit Devices



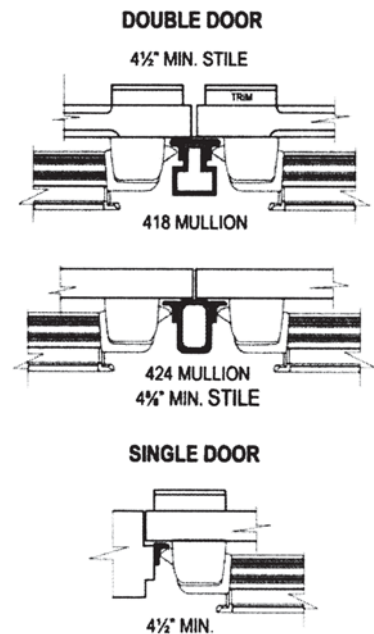
Specifications

- For Doors ----- 1³/₄" thick standard optional 2¹/₄" thick. 4¹/₂" minimum stile width required for single or double door application using standard 239 strike and pull or lever trims.
- Chassis ----- Non-ferrous alloy (Panic Grade), steel (Fire Grade).
- Cover ----- Brass, bronze or stainless steel. Cover stock hollow metal doors with 161 cut out.
- Mounting ----- Furnished with wood and machine screws. Available with thru bolts on request.
Thru bolts are included and standard packaging on rated devices.
- End Cap ----- Brass, bronze or stainless steel construction.
- Hand ----- Non handed, center hub.
- Latch Bolt ----- Stainless steel ³/₄" throw with anti-pick feature.
- Spring ----- Stainless steel throughout.
- ANSI standard ----- A156.3, Grade 1.
- Rail Assembly ----- Heavy gauge extruded aluminum body with stainless.
- Strike ----- 938 packed atandard (see strike page).
- Dogging Feature ----- Allen-type key furnished standard on non-fire labeled devices.
- Mullion ----- Available.
- UL and ULC Listed --- 9900 Series for panic. F9900 Series for fire exit hardware for all types of 4' x 8' single doors and 8' x 8' double doors for up to 3 hours fire labeled installations, conforms to standards UL 10C and UBC 7-2-1997 codes.
- Finish ----- Architectural plated finishes.
- Door size ----- 9900EO36 and F9900EO36 for 36" doors.
9900EO48 and F9900EO48 for 48" doors.

Dimensions

| | |
|-----------------------------------|---|
| Touchbar height to finished floor | 41" (1034mm) at center |
| Touchbar projection | |
| neutral | 3- ⁵ / ₈ " (92mm) |
| depressed | 1- ⁷ / ₈ " (73mm) |
| Center case | 8- ¹ / ₁₆ " x 2 ³ / ₄ " x 2 ¹ / ₂ " (205mm x 68mm x 62mm) |
| Device length - Short 3' (914mm) | 2' 2" x 3' (840mm to 914mm) door size |
| - Short 4' (1219mm) | 2' 9" x 4' (1145mm to 1219mm) door size |
| Long 4' (1219mm) | 2' 9" x 4' (1145mm to 1219mm) door size |

Minimum Stile Requirements 4" escutcheon trims & 4 1/2" for thumbpiece and escutcheon trims



LEON/MCKIN

1100/4100 (9960 & F9960) Series.....

Panic & Fire Vertical Rod Type Exit Devices



Specifications

- For Doors ----- $3/4$ " thick standard optional $2 1/4$ " thick. $4 1/2$ " minimum stile width required for single or double door application using standard 239 strike and pull or lever trims.
- Chassis ----- Non-ferrous alloy (Panic Grade), steel (Fire Grade).
- Cover ----- Brass, bronze or stainless steel. Cover stock hollow metal doors with 161 cut out.
- Mounting ----- Furnished with wood and machine screws. Available with thru bolts on request.
Thru bolts are included and standard packaging on rated devices.
- End Cap ----- Brass, bronze or stainless steel construction.
- Hand ----- Non handed, center hub.
- Latch Bolt ----- Stainless steel $3/4$ " throw with anti-pick feature.
- Spring ----- Stainless steel throughout.
- ANSI standard ----- A156.3, Grade 1.
- Rail Assembly ----- Heavy gauge extruded aluminum body with stainless.
- Strike ----- 938 packed standard (see strike page).
- Dogging Feature ----- Allen-type key furnished standard on non-fire labeled devices.
- Mullion ----- Available.
- UL and ULC Listed --- 9960 Series for panic. F9960 Series for fire exit hardware for all types of 4' x 8' single doors and 8' x 8' double doors for up to 3 hours fire labeled installations, conforms to standards UL 10C and UBC 7-2-1997 codes.
- Finish ----- Architectural plated finishes.
- Door size ----- 9960V3694 and F9960V3684 for 36" x 84" doors.
9990V4896 and F9990V4896 for 48" x 96" doors.
9990V3696 and F9990V3696 for 36" x 96" doors.
9950V36120 for 36" x 120" doors.
9940V48120 for 48" x 120" doors.

MINIMUM STILE REQUIREMENTS

Double Door with Two Vertical Rod Type Exit Devices



Dimensions

- Touchbar height to finished floor 41" (1034mm) at center
- Touchbar projection
 - neutral $3 - 5/8$ " (92mm)
 - depressed $1 - 7/8$ " (73mm)
- Center case $8 - 1/16$ " x $2 3/4$ " x $2 1/2$ " (205mm x 68mm x 62mm)
- Device length - Short 3' (914mm) $2' 2"$ x 3' (840mm to 914mm) door size
- Long 4' (1219mm) $2' 9"$ x 4' (1145mm to 1219mm) door size
- Panic grade top & bottom latch case $3 - 15/16$ " x $2 - 1/8$ " x $1 - 3/8$ " (100mm x 52mm x 42mm)
- Fire grade top latch case $3 - 15/16$ " x $2 - 11/16$ " x $2 - 1/16$ " (100mm x 68mm x 53mm)
- Fire grade bottom latch case $3 - 15/16$ " x $2 - 1/8$ " x $1 - 3/8$ " (100mm x 52mm x 42mm)
- Top & bottom rod length for 36" x 84" doors Top rod $43 - 1/4$ " (1100mm), bottom rod $37 - 3/4$ " (960mm)
- Top & bottom rod length for 48" x 96" doors Top rod $53 - 1/16$ " (1350mm), bottom rod $37 - 3/4$ " (960mm)
- Vertical rods $1/2$ " (13mm) Round tubing

LEON/MCKIN

Trim Selection ESC Lever Design for 1000/4000 (9900 & F9900) Series.....

CONSTRUCTION

- Rigid, non clutch mechanism.
- Double heavy duty spring support to prevent sagging and enhance operation.
- Grade 1, thru-bolted design. Non-handed design. Easily field reversible.
- Hardened steel heavy duty tailpiece. Available for fire and non fire rated rim and vertical rod exit devices.

DOOR THICKNESS

Standard 1 $\frac{3}{4}$ ". For 2 $\frac{1}{4}$ " thick door use additional part# TAIL3.

ESCUTCHEON DIMENSIONS

2 $\frac{3}{4}$ " width X 10 $\frac{1}{4}$ " length. Lever length: 4 $\frac{3}{4}$ ". Fits and covers 2 $\frac{1}{8}$ " 161 cutout

ESC9900

ENTRANCE

Rigid Entrance, key locks or unlocks escutcheon trim ANSI FUNCTION (63) Operates as classroom function

ESC9905

STOREROOM

Rigid Storeroom, key retracts latchbolt, otherwise always locked ANSI FUNCTION (04)

ESC9930

PASSAGE

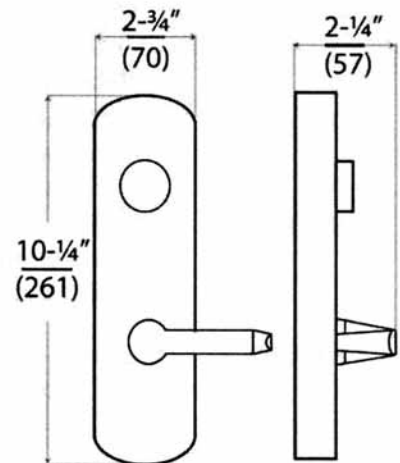
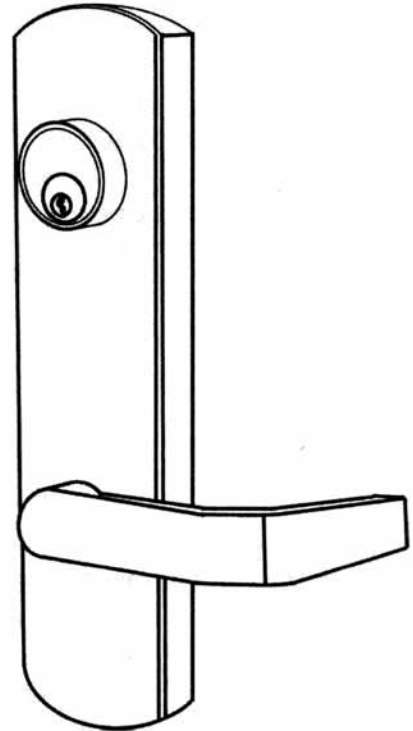
Trim always operable and free ANSI FUNCTION (62)

ESC9940

DUMMY

Dummy Escutcheon trim ANSI FUNCTION (10)

KEYWAY: Standard 6-pin "C" keyway. Also available in Schlage C-K, Russwin D1, Corbin 60, Sargent LA, Falcon/Weiser E, Arrow, Yale GA, Yale 8, Kwikset. Can also accept Medeco, Assa, and Kaba high security cylinders.



LEON/MCKIN

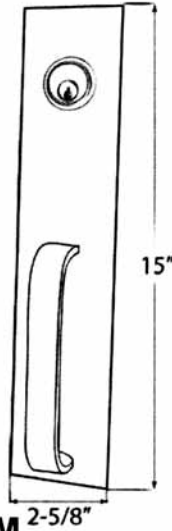
Trim Selection Pull Design for 1000/4000 (9900 & F9900) Series.....

PULL DESIGN

**9900 NL or
IC9900NL**

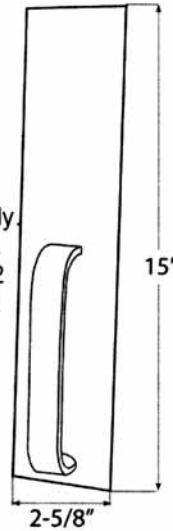
FOR RIM DEVICES ONLY

Outside by pull and key.
Key retracts latchbolt.
ANSI function – 03
Covers 161 cutout



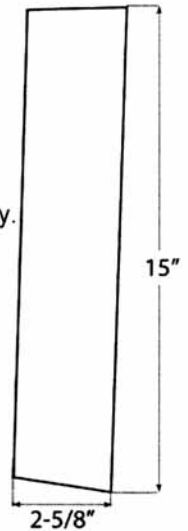
9900 DTP

Outside by pull only.
Pull when dogged.
ANSI function – 02
Covers 161 cutout



9900 EOP

Outside by plate only.
Pull when dogged.
ANSI function – 10
Covers 161 cutout



FINISHES

Architectural plated finishes.

THUMBPIECE TRIM

(OPERATES ON RIM & VERTICAL ROD DEVICES)

99TP00

ENTRANCE

Key locks or unlocks thumbpiece.
(Operates as classroom function)
ANSI Function – 63

99TP05

STOREROOM

Key retracts latchbolt, otherwise
always locked.
ANSI Function-04

99TP30

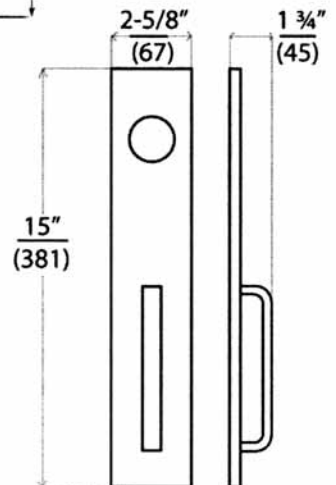
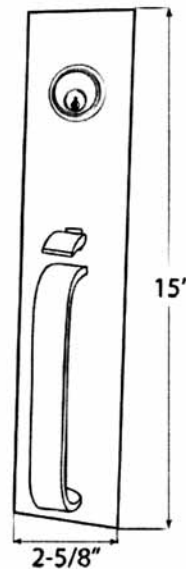
PASSAGE

Trim always operable and free.
ANSI Function – 63

99TP40

DUMMY

Dummy trim. One sided.
ANSI function – 10



KEYWAY: Standard 6-pin "C" keyway. Also available in Schlage C-K, Russwin D1, Corbin 60, Sargent LA, Falcon/Weiser E, Arrow, Yale 8, Kwikset. Can also accept Medeco, Assa, and Kaba high security cylinders.

FINISHES

Architectural plated finishes.

DOOR THICKNESS

Standard 1-3/4". For 2 1/4" thick door use additional part # tail 3.

LEON/MCKIN

Trim Selection Lever Design for 1000/4000 (9900 & F9900) Series.....

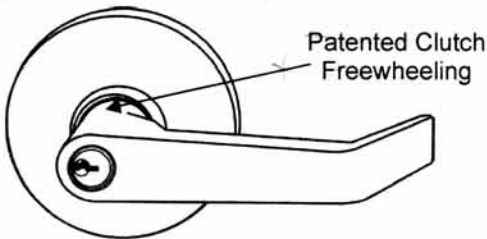
LEVER DESIGN

Non-handed Grade 1 (Clutch Style)

Cylindrical body hardened steel heavy duty tailpiece. For 1 3/4" and 2 1/4" doors. Prefix THI before part # for 2 1/4" door thickness. Available for fire and non fire rated rim and vertical rod exit devices.

Rose diameter 3 1/2", lever length 4 3/4". Fits and covers 161 cutout.

Finishes: Architectural plated finishes.



ENT00L

ENTRANCE

Key retracts latchbolt, unlocks lever. Operates as CLASSROOM FUNCTION. ANSI Function - 08

STR05L

STOREROOM

Key operates lever, otherwise always locked. ANSI Function - 04

PAS30L

PASSAGE

Trim always operable and free. ANSI Function - 15

DUM40L

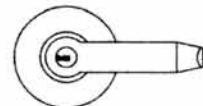
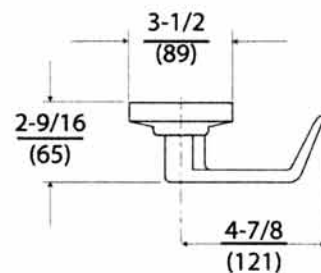
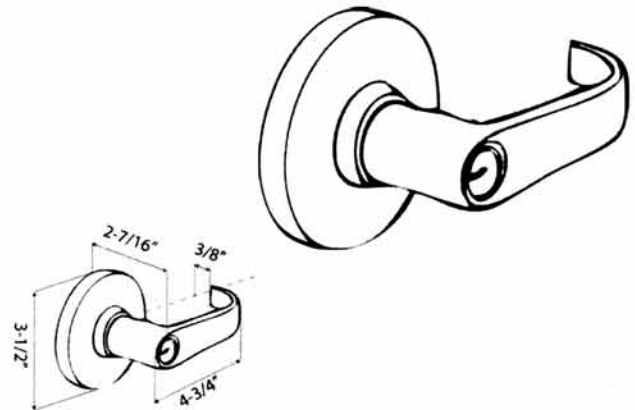
DUMMY

Dummy trim. One sided ANSI Function - 10

When ordering "AT" and "SPA" designs, prefix design name before part #. Example: *ENT00L* in "AT" is **ATENT00L**.

KEYWAY: Standard 6-pin "C" keyway. Also available in Schlage, C-K, Russwin D1, Corbin 60, Sargent LA, Falcon/Weiser E, Arrow, Yale GA, Yale 8, Kwikset. Can also accept Medeco, Assa, and Kaba high security cylinders.

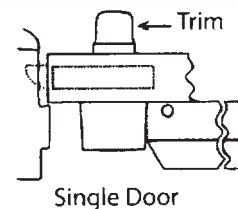
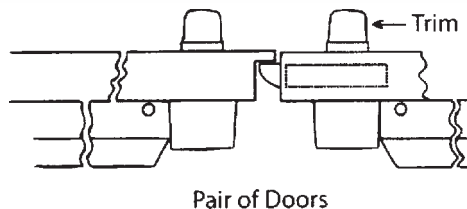
Other lever trim designs



LEON/MCKIN

MR9900 Series Exit Devices

Grade (1) Lock Exit Device



Specifications

For Doors ----- Wood/metal.1 $\frac{3}{4}$ " (44.5mm) minimum thickness

4 $\frac{1}{2}$ " (114mm) minimum stile width

Chassis ----- Nonferrous alloy

Chassis Cover ----- Bronze or stainless steel

End Cap ----- Brass, bronze or stainless Steel Construction

Handing ----- Non-Handed. Specify RHR or LHR for convenience

ANSI standard ----- A156.3, Grade 1.

Mounting ----- Furnished standard with wood and machine screws.

Strike ----- Standard ANSI strike

Mortise Lock ----- Grade (1) for 1 $\frac{3}{4}$ " (44.5mm) thick doors. Reversible. Fits door prepared for ANSI Standard A115.1

Fire Exit hardware ----- Mr9800 Series for fire exit hardware for all types of 8" x 8" double doors for up to 3 codes.

Trim ----- See trim Designs section

Finish ----- (ELR) Electrical Latch Retraction and RX & LX Signal Switch available

Door size ----- MR9900EO36 for 36" doors.

MR9900EO48 for 48" doors.

LEON/MCKIN MR9900 Mortise Lock Rim Exit Devices

Trim Selection..... ESCUTCHENON LEVER DESIGN

Trim Selection..... Escutcheon Lever Design

Construction

- Rigid, non clutch mechanism.
- Double heavy duty spring support to prevent sagging and enhance operation.
- Grade 1, thrubolted design, clutch freewheeling. Non handed design. Easily field reversible.
- Hardened steel heavy duty tailpiece. Available for fire and non fire rated rim and vertical rod exit devices.

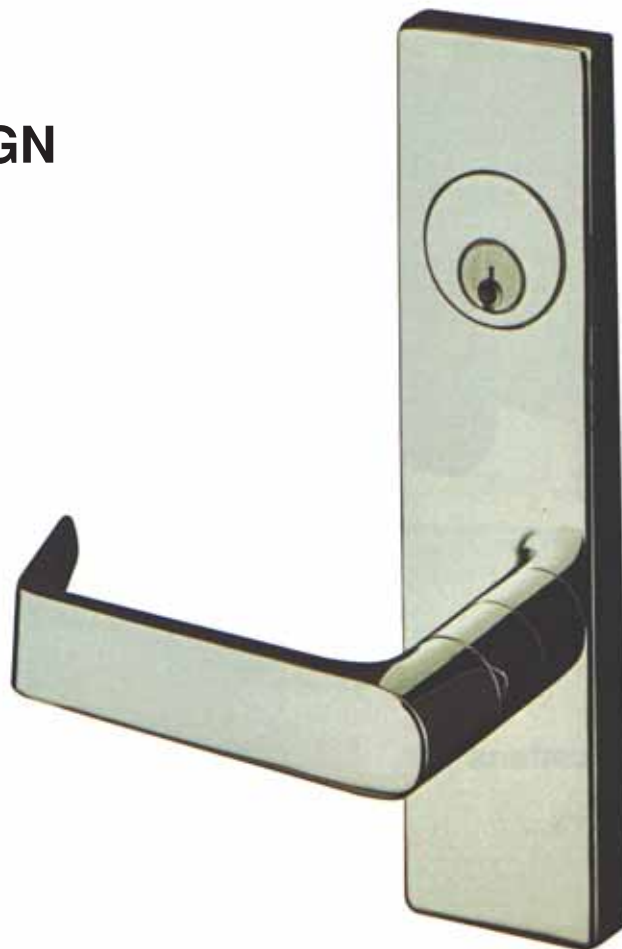
Door Thickness

Standard 1 3/4".

Escutcheon Dimensions

2" width x 8" length. Lever length: 4 3/4".

Fits and covers 2 1/8" 161 cutout



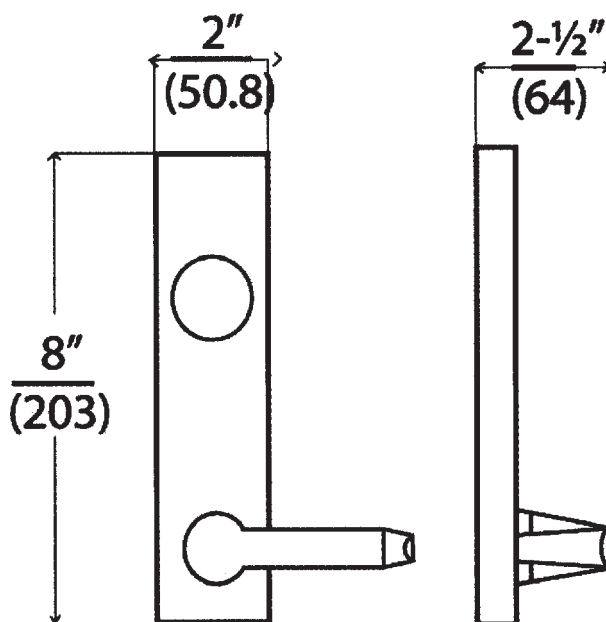
MRESC-9900 Entrance 大門功能
key locks or unlocks lever
ANSI Function - 63

MRESC-9905 Storeroom 倉儲功能
key retracts latchbolt, otherwise always
locked.
ANSI Function - 04

MRESC-9930 Passage 通道功能
Trim always operable and free.
ANSI Function - 62

Keyway:

Standard 6-pin "C" keyway. Also available in Schlage C-K, Russwin D1, Corbin 60, Sargent LA, Falcon/Weiser E, Arrow, Yale GA, Yale 8, Kwikset. Can also accept Medeco, Assa, and Kaba high security cylinders.



LEON/MCKIN

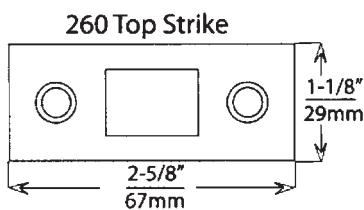
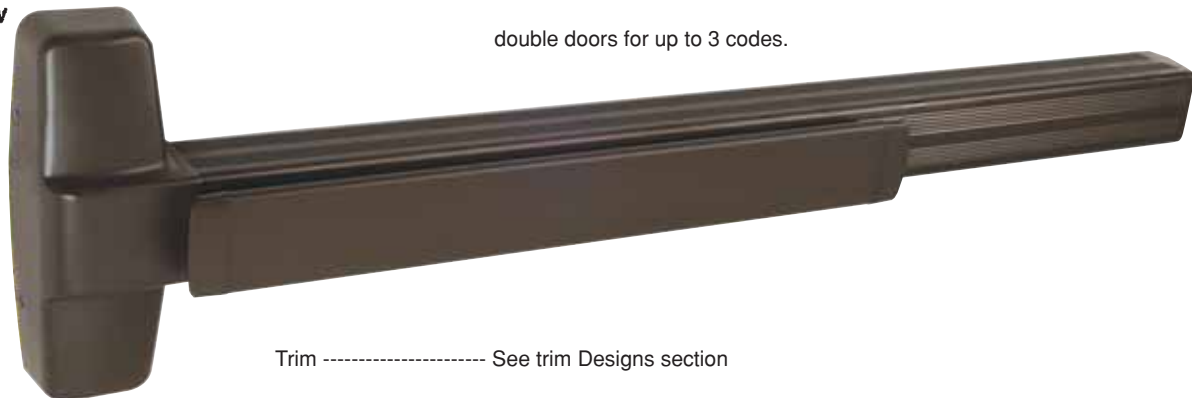
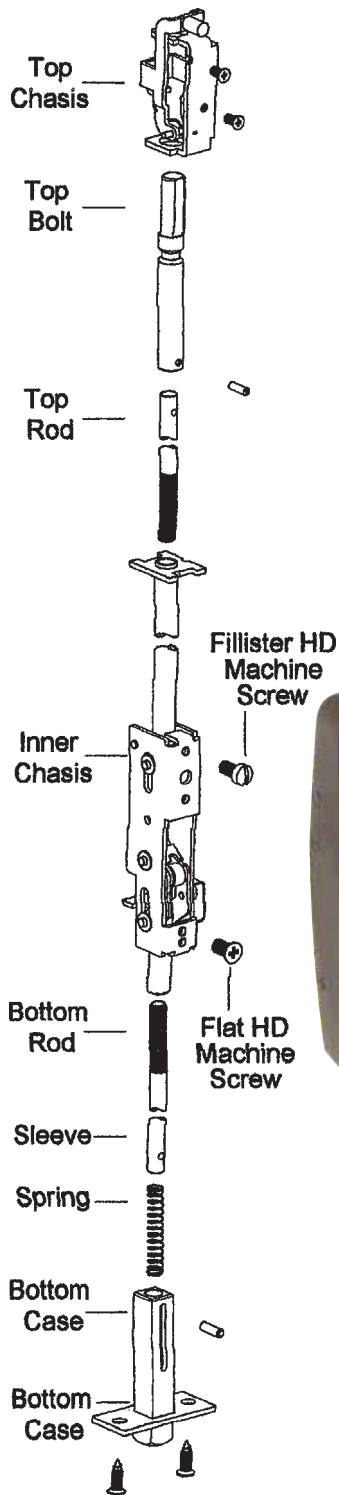
MCVR9900 Series Exit Devices

Grade 1 Concealed Vertical Rod Exit Device

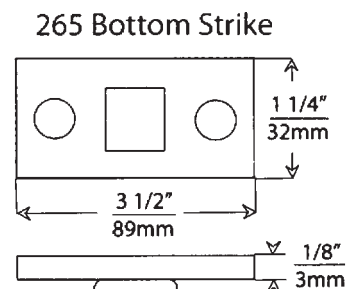
For Metal Doors

Specifications

- For Doors ----- Wood/metal. 1 3/4" (44.5mm) minimum thickness
- 4 1/2" (114mm) minimum stile width
- Chassis ----- Nonferrous alloy
- Chassis Cover ----- Bronze or stainless steel
- End Cap ----- Brass, bronze or stainless Steel Construction
- Handing ----- Non-Handed. Specify RHR or LHR for convenience
- ANSI standard ----- A156.3, Grade 1.
- Mounting ----- Furnished standard with wood and machine screws.
- Strike ----- Standard ANSI strike
- Mortise Lock ----- Grade (1) for 1 3/4" (44.5mm) thick doors. Reversible.
- Fits door prepared for ANSI Standard A115.1
- Fire Exit hardware ----- Mr9800 Series for fire exit hardware for all types of 8" x 8" double doors for up to 3 codes.
- Trim ----- See trim Designs section
- Finish ----- (ELR) Electrical Latch Retraction and RX & LX Signal Switch available
- Door size ----- M98CVR 3684 for 36" x 84" doors.
- M98CVR 3696 for 36" x 96" doors
- Other sizes available on request



- ◆ For applications metal frames
- ◆ Stainless Steel



- ◆ Furnished with expansion shields
- ◆ Mortised into floor
- ◆ Stainless Steel

LEON/MCKIN

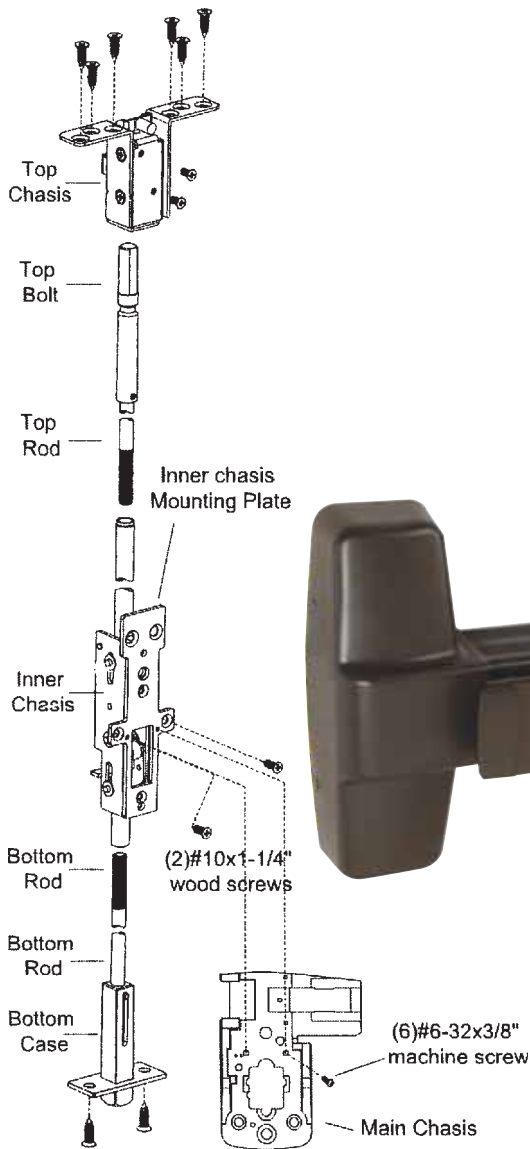
WCVR9900 Series Exit Devices

Grade 1 Concealed Vertical Rod Exit Device

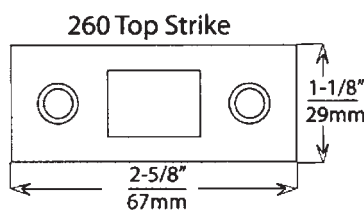
For Wood Doors

Specifications

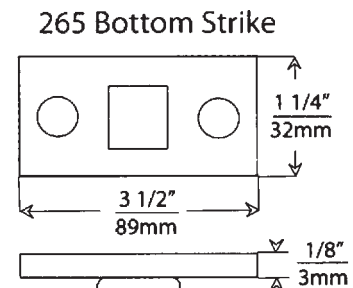
- For Doors ----- Wood/metal. 1 3/4" (44.5mm) minimum thickness
4 1/2" (114mm) minimum stile width
- Chassis ----- Nonferrous alloy
- Chassis Cover ----- Bronze or stainless steel
- End Cap ----- Brass, bronze or stainless Steel Construction
- Handing ----- Non-Handed. Specify RHR or LHR for convenience
- ANSI standard ----- A156.3, Grade 1.
- Mounting ----- Furnished standard with wood and machine screws.
- Strike ----- Standard ANSI strike
- Mortise Lock ----- Grade (1) for 1 3/4" (44.5mm) thick doors. Reversible.
Fits door prepared for ANSI Standard A115.1



- Fire Exit hardware ----- Mr9800 Series for fire exit hardware for all types of 8" x 8" double doors for up to 3 codes.
- Trim ----- See trim Designs section
- Finish ----- (ELR) Electrical Latch Retraction and RX & LX Signal Switch available
- Door size ----- M98CVR 3684 for 36" x 84" doors.
M98CVR 3696 for 36" x 96" doors
Other sizes available on request



- ◆ For applications metal frames
- ◆ Stainless Steel



- ◆ Furnished with expansion shields
- ◆ Mortised into floor
- ◆ Stainless Steel

LEON/MCKIN MCVR9900 / WCVR9900

Concealed Vertical Rod Exit Device for Wood & Metal Doors Trim Selection.....

ESCUTCHON LEVER DESIGN

Construction

- Grade 1, thrubolted design, clutch freewheeling. Non handed design. Easily field reversible.
- Hardened steel heavy duty tailpiece. Available for fire and non fire rated rim and vertical rod exit devices.

Finishes

Architectural plated finishes

Door Thickness

Standard 1 3/4".

Escutcheon Dimensions

2 5/16" width x 8 1/2" length. Lever length: 4 3/4".

Fits and covers 2 1/8" 161 cutout

- | | |
|------------|---|
| CVRES-9900 | Entrance 大門功能 Clutch Mechanism key locks or unlocks lever Operates as classroom function ANSI Function - 63 |
| CVRES-9905 | Storeroom 倉儲功能 Clutch Mechanism key retracts latchbolt, otherwise always locked. ANSI Function - 04 |
| CVRES-9930 | Passage 通道功能 Trim always operable and free. ANSI Function - 62 |
| CVRES-9940 | Dummy 假鎖裝飾功能 Dummy trim. One sided ANSI Function - 10 |

Keyway:

Standard 6-pin "C" keyway. Also available in Schlage C-K, Russwin D1, Corbin 60, Sargent LA, Falcon/Weiser E, Arrow, Yale GA, Yale 8, Kwikset. Can also accept Medeco, Assa, and Kaba high security cylinders.

Interchangeable Core:

Interchangeable core locks will accept compatible 6 or 7 pin cores with BEST, FALCON and ARROW.



CLUTCH FREEWHEELING

